

Idlers

Idlers are available for: uni 810, uni 812, uni 815, uni 881, uni Magnet type, uni 881 Super Flex, uni 8811, uni 8811 Super Flex, uni 820, uni 831, uni 879, uni 879 Super Flex, uni 880 and uni 880 Super Flex.



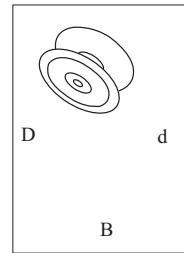
Corresponding to sprocket with number of teeth	B		overall diameter D		bore d				L		uni reference nr.
					min.		max.				
	mm	in.	mm	in.	mm	in.	mm	in.	mm	in.	
19	44.4	1.75	116.9	5.11	20.0	0.79	38.1	1.50	63.5	2.50	303382019DIN
21	44.4	1.75	129.8	5.11	20.0	0.79	38.1	1.50	63.5	2.50	303382021DIN
23	44.4	1.75	142.2	5.60	20.0	0.79	38.1	1.50	63.5	2.50	303382023DIN
25	44.4	1.75	154.7	6.09	20.0	0.79	38.1	1.50	63.5	2.50	303382025DIN

All idlers are supplied with pilot bore.

Standard material:

POM-D

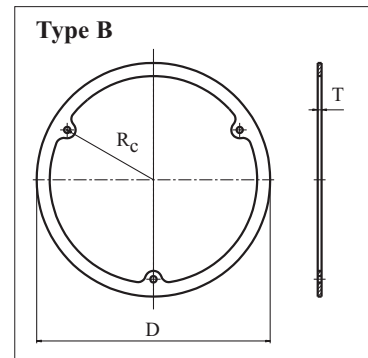
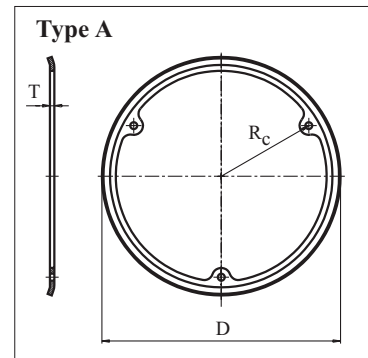
Materials See page 14



Guide Rings

The sprockets for the steel chains uni 810/812/815/800/802/805 and uni Magnet type can be supplied with guide rings if the drive sprockets are to guide the chain.

No. of teeth	overall diameter D		clamping diameter radius R _c		thickness of ring		shape of ring	uni reference no.
	mm	in.	mm	in.	mm	in.		
17	104.4	4.11	39.7	1.56	1.5	0.06	A	122GR1718S
18	104.4	4.11	39.7	1.56	1.5	0.06	A	
19	116.3	4.58	45.5	1.79	3.0	0.12	A	122GR1920S
20	116.3	4.58	45.5	1.79	3.0	0.12	A	
21	129.3	5.10	53.0	2.09	3.0	0.12	A	122GR2122S
22	129.3	5.10	53.0	2.09	3.0	0.12	A	
23	141.2	5.56	57.0	2.24	3.0	0.12	A	122GR2324S
24	141.2	5.56	57.0	2.24	3.0	0.12	A	
25	153.2	6.03	63.6	2.50	3.0	0.12	A	122GR2526S
26	153.2	6.03	63.6	2.50	3.0	0.12	A	
27	165.2	6.50	70.0	2.76	3.0	0.12	A	122GR2728S
28	165.2	6.50	70.0	2.76	3.0	0.12	A	
29	178.3	7.02	76.0	2.99	3.0	0.12	B	122GR2930S
30	178.3	7.02	76.0	2.99	3.0	0.12	B	
31	190.5	7.50	82.0	3.23	3.0	0.12	B	122GR3132S
32	190.5	7.50	82.0	3.23	3.0	0.12	B	



All guide rings are supplied with 3 clamping holes \varnothing 4.8 mm (0.19 in.).

Standard material: DIN 1.0120